



## SMART SOLAR LIGHTING

# AE3 Split Model



Leadsun's SMART solar lighting AE3 Split Model is International Dark-sky approved with the solar/battery module separated from the LED luminaire. This design guarantees the best solar orientation to provide optimum daytime charging while ensuring layered LED light distribution on the target area without emitting any upward light pollution.



Quick and easy 15min installation with grid-free **plug and play wiring**



Monocrystalline solar module >20% Efficiency



EDGE web-based wireless controls, monitoring & management system



Dual **Lithium** LiFePO4 patented battery management system with 10+ year performance



Advanced LED lighting including PIR Motion Sensor and Dark-sky compliance



Modular design with fully integrated components



# DATA SHEET

CE | IP66 | IK08

[www.leadson-us.com](http://www.leadson-us.com)

SOLAR ENGINE MODULE	AE3S60Q	AE3S90R
<b>PHYSICAL PARAMETERS</b>		
Solar module power output (W)	60	90
Lithium battery capacity (Wh)	2x 256 (512Wh)	2 x 308 (616Wh)
Net weight of product (lb)	37.5	44
Product dimension (in.)	42.5(L) × 17.3(W) × 4(D)	56(L) × 17.3(W) × 4(D)
Pole mounting diameter (in.)	2.75-3	2.75-3
Tenon depth (in.)	4.72	4.72
Package dimensions (in.)	45(L) × 6(W) × 20(D)	58(L) × 6(W) × 20(D)
Package gross weight (lb)	42	48.5

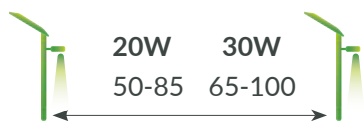
<b>TECHNICAL &amp; OPERATING PARAMETERS</b>		
Battery voltage & cycle life	12.8Vdc/ >4000 cycles	12.8Vdc/ >4000 cycles
Battery charging temperature range (°F)	32 - 129	32 - 129
Battery discharging temperature range (°F)	-4 - 129	-4 - 129
Controller type	PWM (Programmable via USB)	PWM (Programmable via USB)
Wireless control & monitoring option	Optional	Optional
Photoelectric switch on/off level (lx)	30	30

<b>MOUNTING RECOMMENDATIONS</b>		
EPA (Effective Projected Area) (ft²)	3.05	3.99
APA (Actual Projected Area) (ft²)	2.54	3.33
Wind load rate (mph)	150	150

LUMINAIRE	RS20	RS30
<b>PHYSICAL PARAMETERS</b>		
Net weight of product (lb)	10	10
Dimension of product (in.)	25.6(L) × 7(W) × 3.5(D)	25.6(L) × 7(W) × 3.5(D)
Pole mounting diameter (in.)	2.35	2.35
Package dimensions (in.)	28(L) × 5.7(W) × 9(D)	28(L) × 5.7(W) × 9(D)
Package gross weight (lb)	12	12

<b>TECHNICAL &amp; OPERATING PARAMETERS</b>		
Light output (W)	20	30
LED colour temperature (K)	3000	3000
LED typical luminous flux (lm)	1800	4860
Motion sensor type	Passive Infra Red	Passive Infra Red
LED distribution type	T2 T2T3 T3	T2 T2T3 T3

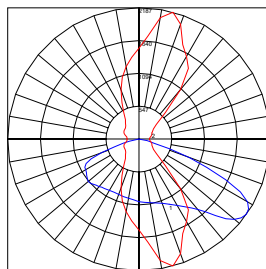
**ILLUMINATION ZONES**



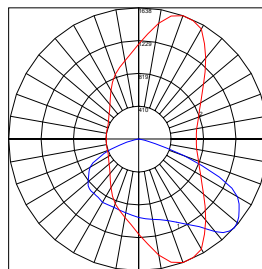
Recommended distance (ft)



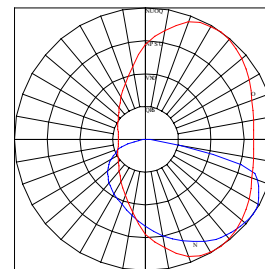
Recommended height (ft)



T2

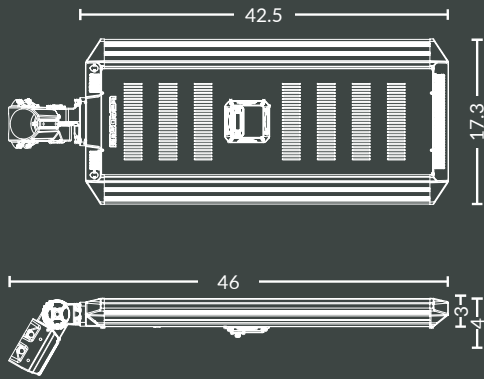


T2T3

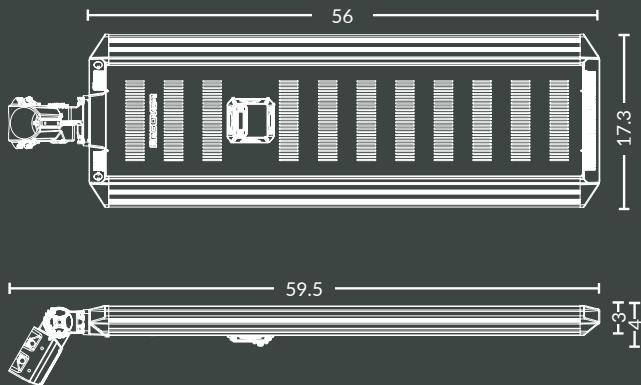


T3

**AE3S60Q**



**AE3S90R**



**RS20/RS30**

