



SMART SOLAR LIGHTING

All-In-One Models

Leadsun's patented AE3 and AE5 All-In-One SMART solar lighting solution combines four emerging technologies (solar photo-voltaic (PV), LED light, lithium battery and adaptive lighting controls) into one compact, durable and easy to install system.



Quick and easy 10min installation **without any wiring**



Monocrystalline solar module >20% Efficiency



EDGE web-based wireless controls, monitoring & management system



Dual **Lithium** LiFePO4 patented battery management system with 10+ year performance



Advanced LED lighting including PIR Motion Sensor



Modular design with fully integrated components

AE3

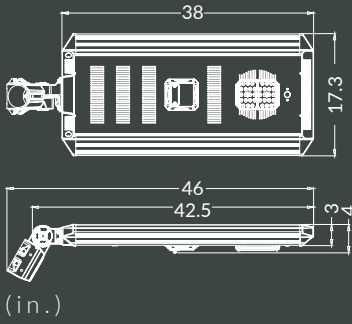


AE5

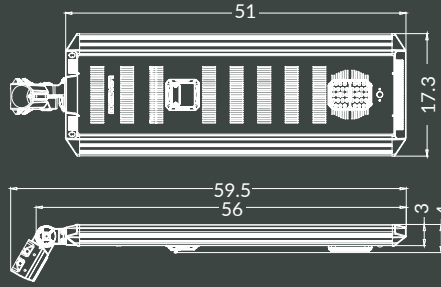


CE | IP66 | IK08

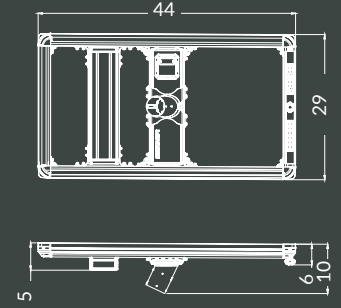
AE3S60N20



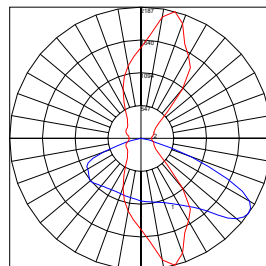
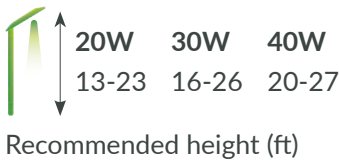
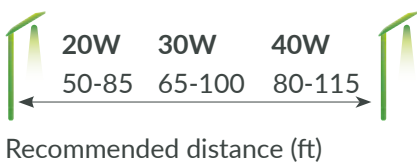
AE3S90R30



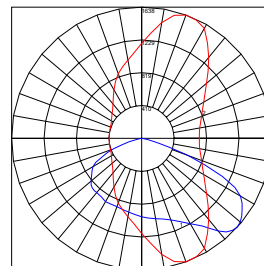
AE5S150T40



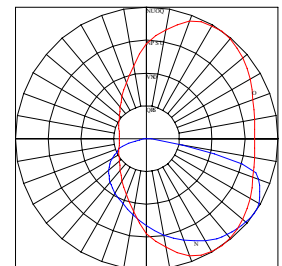
SOLAR ENGINE MODULE	AE3S60N20	AE3S90R30	AE5S150T40
PHYSICAL PARAMETERS			
Solar module power output (W)	60	90	150
Lithium battery capacity (Wh)	2x154 (308Wh)	2 x 308 (616Wh)	2 x 410 (820Wh)
Net weight of product (lb)	34	45	54
Product dimension (in.)	42.5(L) × 17.3(W) × 4(D)	56(L) × 17.3(W) × 4(D)	44(L) × 29(W) × 6(D)
Package dimensions (in.)	45(L) × 6(W) × 20(D)	58(L) × 6(W) × 20(D)	46(L) × 7.7(W) × 32.6(D)
Package gross weight (lb)	40	50	62
TECHNICAL & OPERATING PARAMETERS			
Battery voltage & cycle life	12.8VDC/ >4000 cycles	12.8VDC/ >4000 cycles	12.8VDC/ >4000 cycles
Battery charging temperature (°F)	32 - 129	32 - 129	32 - 124
Battery discharging temperature (°F)	-4 - 129	-4 - 129	-4 - 124
Controller type	PWM (Programmable via USB)	PWM (Programmable via USB)	PWM (Programmable via USB)
Wireless control & monitoring option	Optional	Optional	Optional
Photoelectric switch on/off level (lx)	30	30	30
Light output (W)	20	30	40
LED colour temperature (K)	3000	3000	5000
LED typical luminous flux (lm)	1800	4860	7200
Motion sensor type	Passive Infra Red	Passive Infra Red	Passive Infra Red
LED distribution type	T2 T2T3 T3	T2 T2T3 T3	T2 T2T3 T3
MOUNTING RECOMMENDATIONS			
EPA (Effective Projected Area) (ft²)	3.05	3.99	4.49
APA (Actual Projected Area) (ft²)	2.54	3.33	3.74
System wind speed rating (mph)	150	150	150
Pole mounting diameter (in.)	2.75-3	2.75-3	3.5
Tenon depth (in.)	4.72	4.72	4.72
ILLUMINATION ZONES			



T2



T2T3



T3